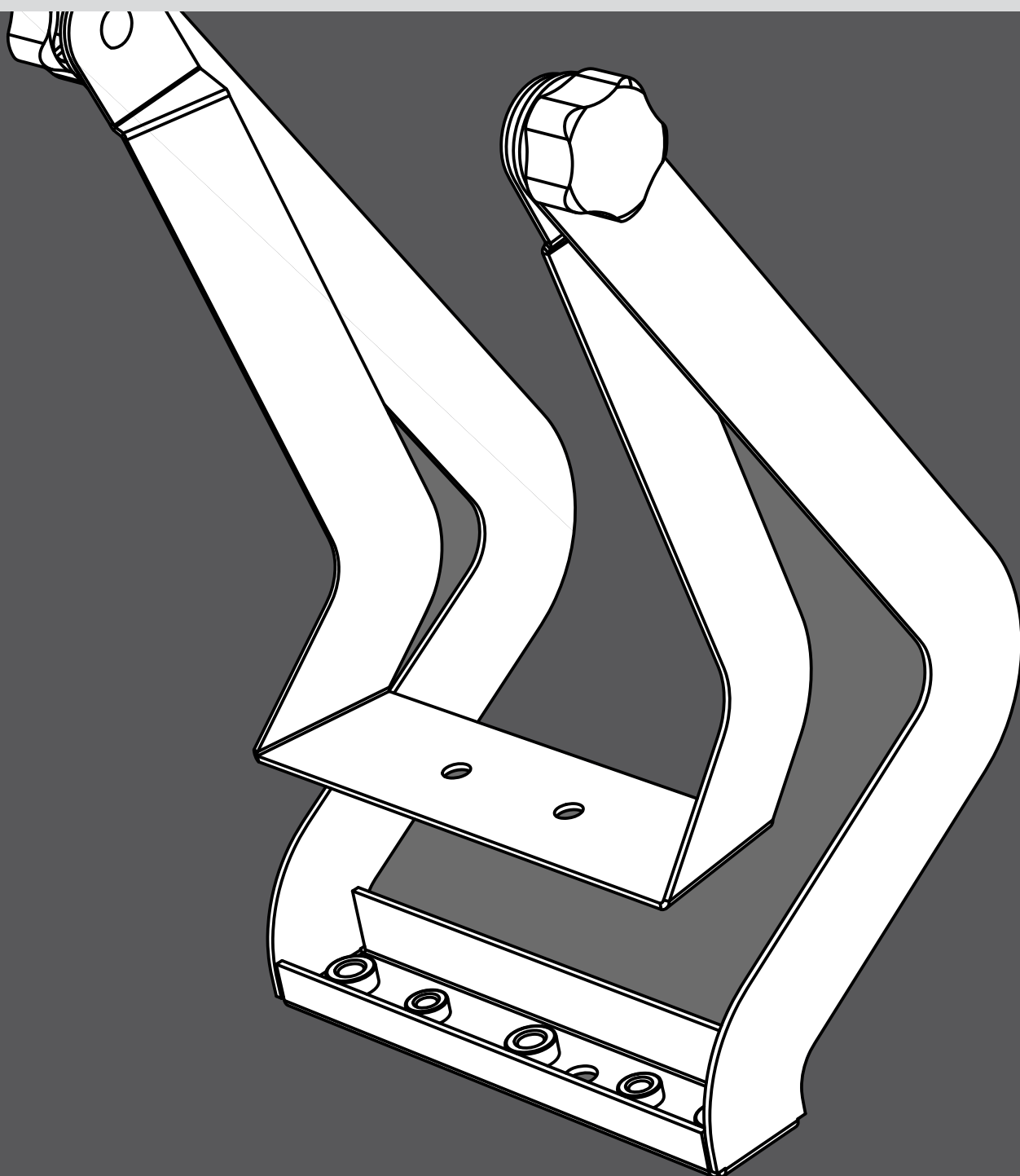


Z

Z5399

Mounting instructions 1.2 en



General information

Z5399 Mounting instructions

Version: 1.2 en, 04/2020, D2819.EN .01

Copyright © 2020 by d&b audiotechnik GmbH & Co. KG; all rights reserved.

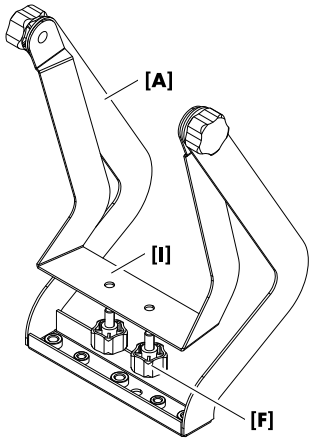
Keep this document with the product or in a safe place so that it is available for future reference.

When reselling this product, hand over this document to the new owner.

d&b audiotechnik GmbH & Co. KG
Eugen-Adolff-Str. 134, D-71522 Backnang, Germany
T +49-7191-9669-0, F +49-7191-95 00 00
docadmin@dbaudio.com, www.dbaudio.com

1	Z5399 YP Mounting bracket	4
1.1	Scope of supply and weight.....	4
1.2	Safety precautions.....	4
1.3	Intended use.....	5
1.4	Assembly.....	5
1.5	Adjustments.....	5
1.6	Built-in dimensions.....	6
2	Manufacturer's declaration	7
2.1	EU conformity (CE symbol).....	7
2.2	Disposal.....	7

1 Z5399 YP Mounting bracket



1.1 Scope of supply and weight

Please verify the shipment for completeness and proper condition of the items.

Qty.	d&b Code	Description
1	Z5399	YP Mounting bracket consisting of: <ul style="list-style-type: none"> ▪ Outer bracket [A] ▪ Inner bracket [I]
Including:		
2		Fixing bolts [F]
1	D2819.EN .01	Z5399 Mounting instructions

Weight 2.4 kg (5.3 lb)

1.2 Safety precautions

General safety

Installation and setup should only be carried out by qualified and authorized personnel observing the valid national Rules for the Prevention of Accidents (RPA).

It is the responsibility of the person installing the assembly to ensure that the suspension/fixing points are suitable for the intended use.

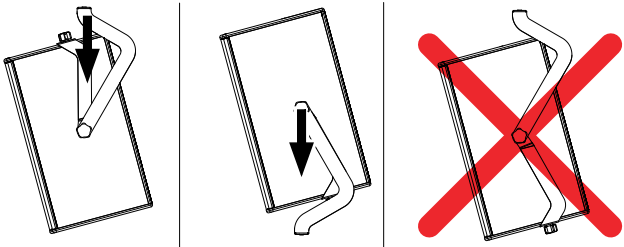
Always carry out a visual and functional inspection of the items before use. In case there is any doubt as to the proper functioning and safety of the items, these must be withdrawn from use immediately.

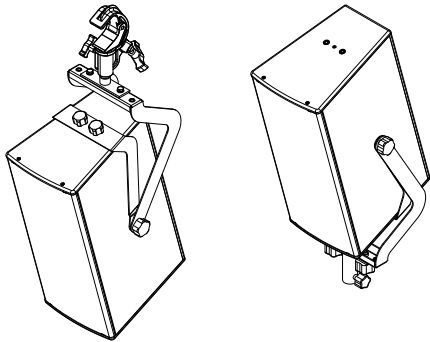
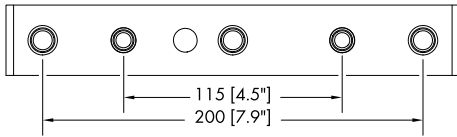
Load safety information

The Z5399 YP Mounting bracket is designed to support one YP or YiP loudspeaker.

No additional loads must be added.

The bracket must only be used in an upright position or suspended vertically as shown in the graphic opposite.





1.3 Intended use

The d&b Z5399 YP Mounting bracket must only be used in conjunction with d&b YP or YiP cabinets.

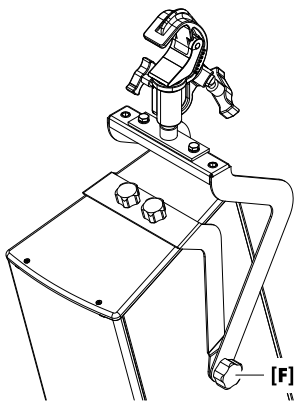
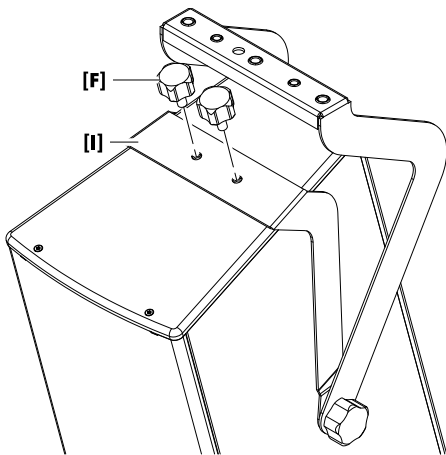
The tie bar of the outer bracket is supplied with two M8 threaded inserts at the standard d&b spacing (115 mm [4.5"]) for attaching the following accessories:

- Using the Z5010 TV spigot with fixing plate in conjunction with the Z5012 Pipe clamp, YiP cabinets can be vertically flown from overhead bars or trusses with a tube diameter between 40 mm and 70 mm (1.5" and 2.75").
- Using the Z5024 Loudspeaker stand adapter, YiP cabinets can be mounted onto a loudspeaker stand with a tube diameter of 35 mm/1.4".

The two M10 threaded inserts at the edges of the tie bar are intended for use with two M10 safety eye bolts (Q9032) to suspend the cabinet using steel wire ropes. They also serve to "park" the two fixing bolts **[F]** during storage or transport when the bracket is not mounted to a cabinet so that the hand bolts cannot get lost.

1.4 Assembly

The fixing plate of the inner bracket **[I]** is bolted into the M10 threaded inserts at the top or bottom of the loudspeaker cabinet using the two fixing bolts **[F]**.



1.5 Adjustments

The vertical aiming and the horizontal aiming can be set continuously.

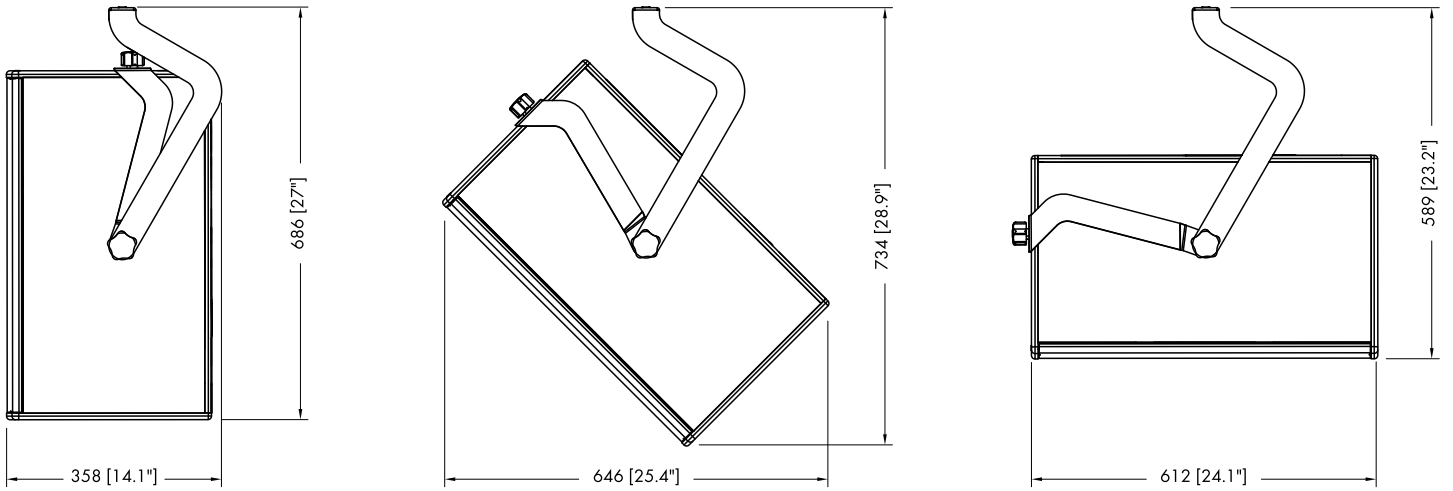
Vertical aiming

1. Slightly slacken the fixing screws **[F]**.
2. Set the loudspeaker to the required vertical angle.
3. Retighten the fixing Screws **[F]**.

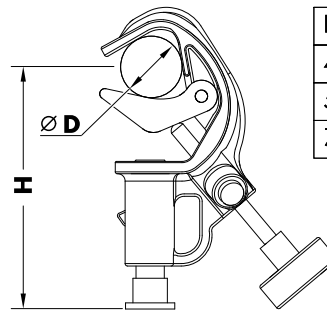
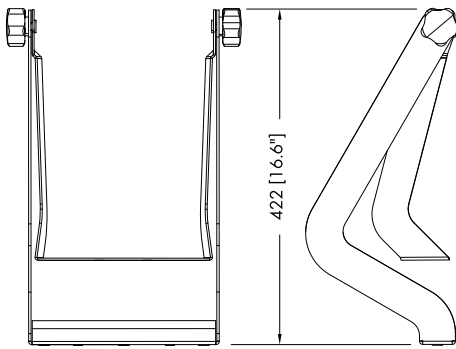
Horizontal aiming

The horizontal aiming is set at the loudspeaker stand adapter or the TV spigot assembly.

1.6 Built-in dimensions

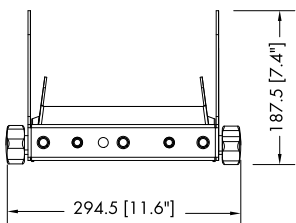


Z5399 YP Mounting bracket, mounting options and built-in dimensions in mm [inch]



D	H
40 mm [1.6"]	205 mm [8"]
50 mm [2"]	197 mm [7.75"]
70 mm [2.75"]	181 mm [7"]

Built-in dimensions Z5010/Z5012 Assembly



Z5399 YP Mounting bracket dimensions in mm [inch]



2.1 EU conformity (CE symbol)

This declaration applies to:

d&b Z5399 YP Mounting bracket

manufactured by d&b audiotechnik GmbH & Co. KG.

All product variants are included, provided they correspond to the original technical version and have not been subject to any later design or electromechanical modifications.

We herewith declare that said products are in conformity with the provisions of the respective EC directives including all applicable amendments.

A detailed declaration is available on request and can be ordered from d&b or downloaded from the d&b website at www.dbaudio.com.

2.2 Disposal

When out of use the rigging components must be disposed of in accordance with the national environmental regulations.

Ensure that damaged rigging components are disposed of in a way that they cannot be used again.

