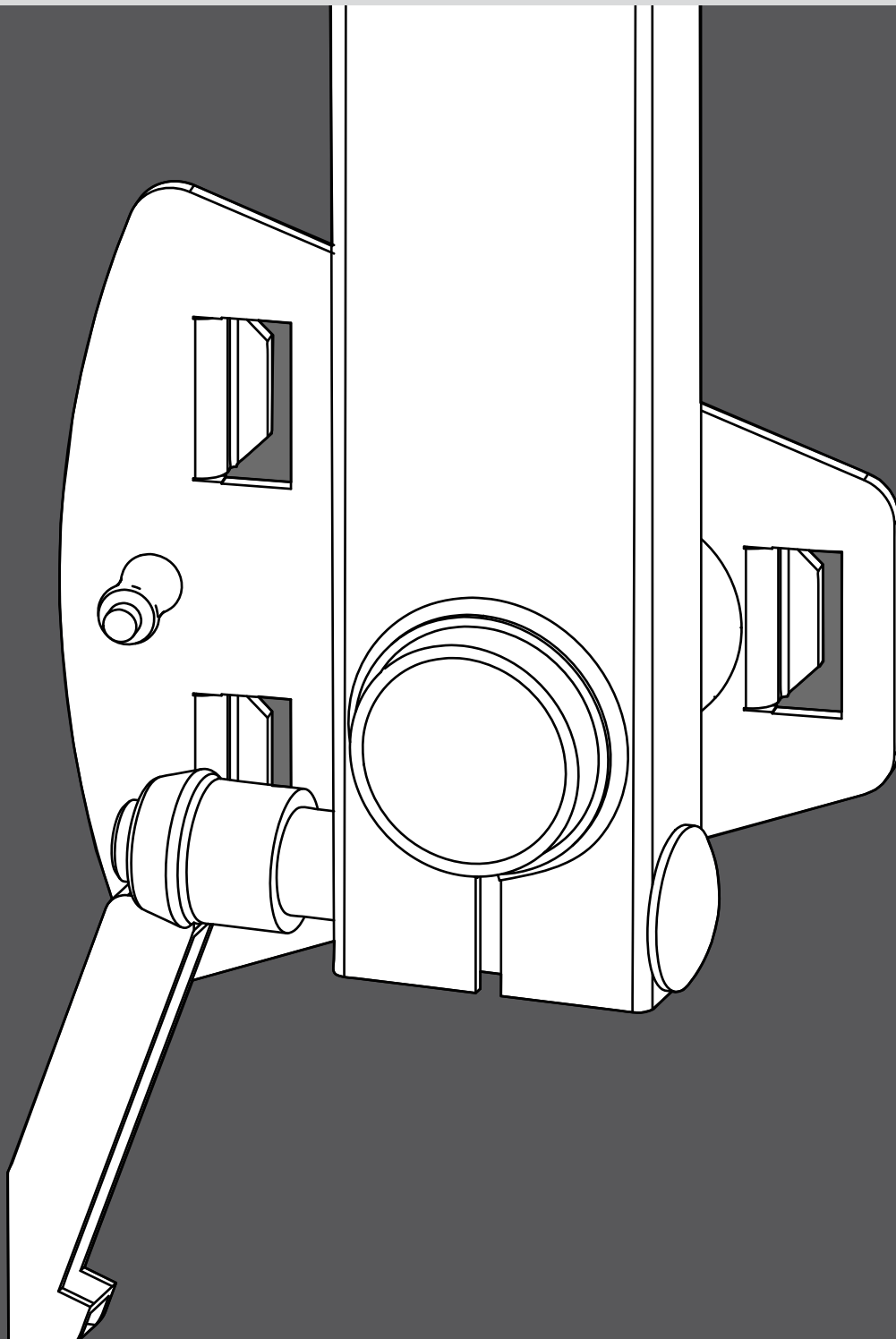


Z

Z5397 Mounting instructions 1.2 en



General information

Z5397 Mounting instructions

Version: 1.2 en, 04/2020, D2817.EN .01

Copyright © 2020 by d&b audiotechnik GmbH & Co. KG; all rights reserved.

Keep this document with the product or in a safe place so that it is available for future reference.

When reselling this product, hand over this document to the new owner.

d&b audiotechnik GmbH & Co. KG
Eugen-Adolff-Str. 134, D-71522 Backnang, Germany
T +49-7191-9669-0, F +49-7191-95 00 00
docadmin@dbaudio.com, www.dbaudio.com

1	Z5397 YP Swivel bracket	4
1.1	Scope of supply and weight	4
1.2	Safety precautions	4
1.3	Intended use	5
1.4	Assembly	5
1.5	Adjustments	6
1.6	Built-in dimensions	6
2	Manufacturer's declaration	8
2.1	EU conformity (CE symbol)	8
2.2	Disposal	8

1.1 Scope of supply and weight

Please verify the shipment for completeness and proper condition of the items.

Qty.	d&b Code	Description
1	Z5397	YP Swivel bracket
1	D2817.EN .01	Z5397 Mounting instructions

Weight 1.6 kg (3.5 lb)

1.2 Safety precautions

General safety

Installation and setup should only be carried out by qualified and authorized personnel observing the valid national Rules for the Prevention of Accidents (RPA).

It is the responsibility of the person installing the assembly to ensure that the suspension/fixing points are suitable for the intended use.

Always carry out a visual and functional inspection of the items before use. In case there is any doubt as to the proper functioning and safety of the items, these must be withdrawn from use immediately.

Operational safety

It is essential to secure the bracket with the securing pin **[S]** before lifting the cabinet or placing it onto a loudspeaker stand.

When using the bracket, all locking devices (securing pin **[S]** and fixing lever **[F]**) must be secured.

Do not under any circumstances unlock the securing pin **[S]** to adjust the vertical angle of the cabinet.

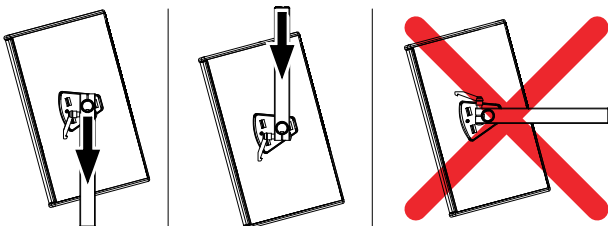
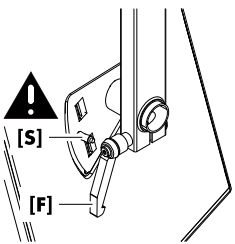
Secondary safeties must always be provided and used when flying or fixing loudspeaker loads overhead.

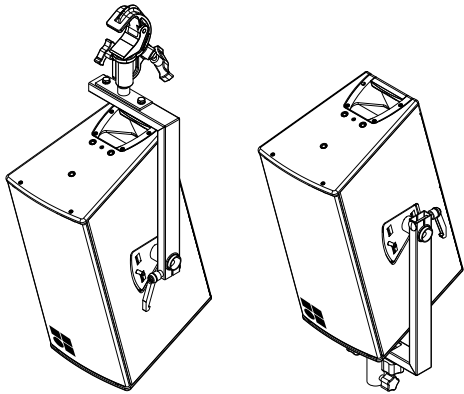
Load safety information

The Z5397 YP Swivel bracket is designed to support one YP loudspeaker (Y7P or Y10P).

No additional loads must be added.

The bracket must only be used in an upright position or suspended vertically as shown in the graphic opposite.





1.3 Intended use

The d&b Z5397 YP Swivel bracket must only be used in conjunction with d&b YP cabinets (Y7P or Y10P) as described in these mounting instructions.

Using the Z5024 Loudspeaker stand adapter, YP cabinets can be mounted onto a loudspeaker stand with a tube diameter of 35 mm (1.4").

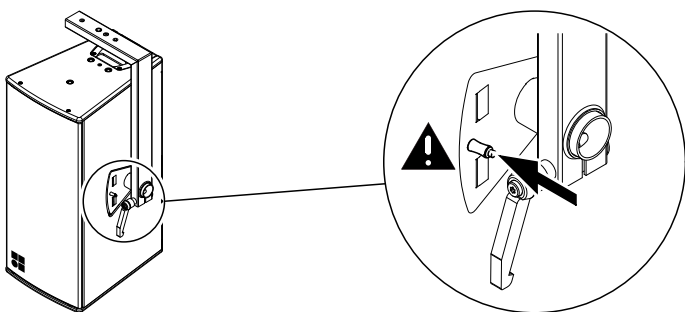
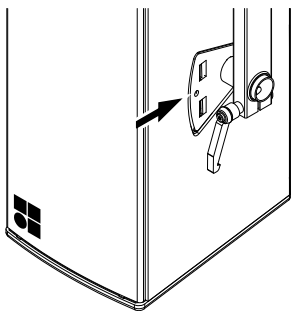
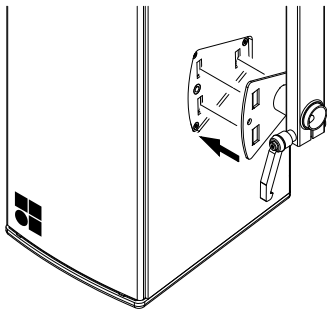
Using the Z5010 TV spigot with fixing plate in conjunction with the Z5012 Pipe clamp, YP cabinets can be vertically flown from overhead bars or trusses with a tube diameter between 40 mm and 70 mm (1.5" and 2.75").

The horizontal aiming as well as the vertical aiming can be set continuously.

1.4 Assembly

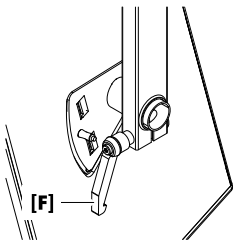
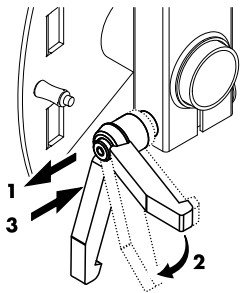
Note: To ensure the cabinet to be exactly vertically aligned within the bracket the d&b logo should always be at the bottom left whether the cabinet will be mounted on a high stand or flown from bars or trusses.

1. Insert the hooks of the bracket's adapter plate into the corresponding slots of the cabinet's quick lock adapter plate.



2. Push the adapter plate towards the back of the cabinet until it is fixed in place.

3. Insert the securing pin **[S]** into the corresponding socket.
 - ↳ Ensure the securing pin is properly inserted and locked.



1.5 Adjustments

Function of the fixing lever [F]

For adjustment of the cabinet and for visual reasons, it might be necessary to set the fixing lever to another position.

1. Pull the lever towards you.
2. Turn it to the desired position.
3. Release the lever to fix it in place.

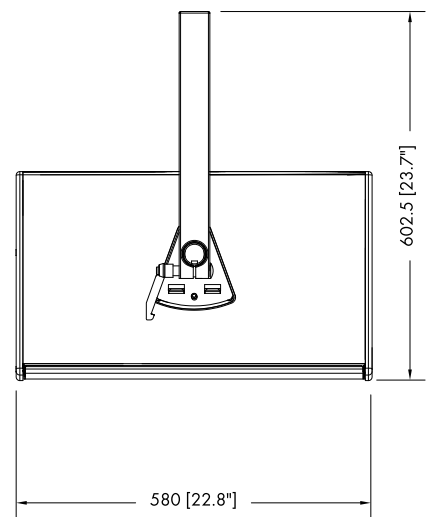
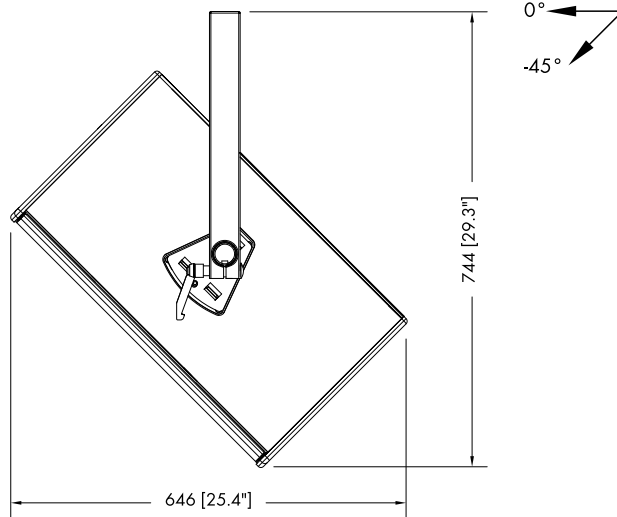
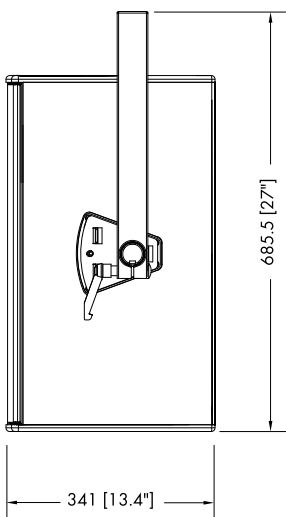
Vertical aiming

1. Slightly loosen the fixing lever [F].
2. Set the loudspeaker to the required vertical angle.
3. Retighten the fixing lever.

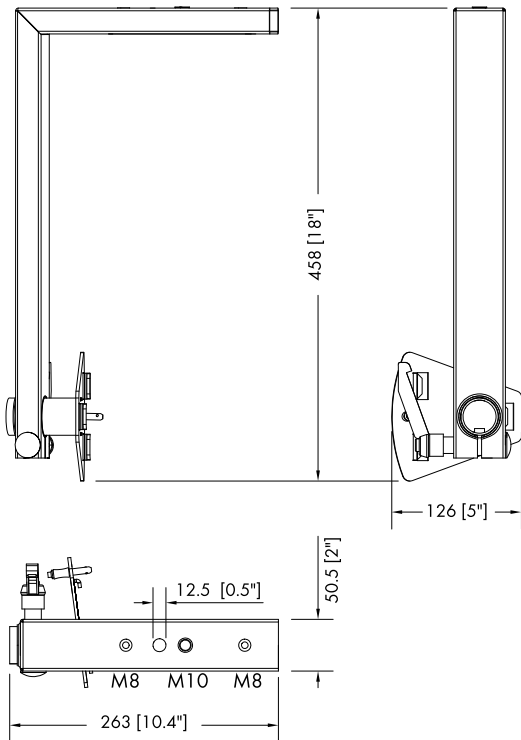
Horizontal aiming

The horizontal aiming is set using the loudspeaker stand adapter or the TV spigot assembly.

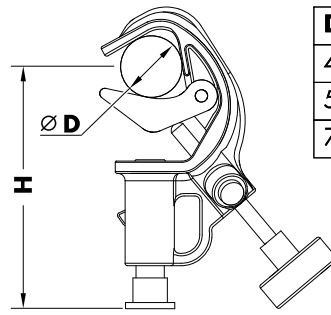
1.6 Built-in dimensions



Z5397 YP Swivel bracket, Mounting options and built-in dimensions in mm [inch]



Z5397 YP Swivel bracket dimensions in mm [inch]



D	H
40 mm [1.6"]	205 mm [8"]
50 mm [2"]	197 mm [7.75"]
70 mm [2.75"]	181 mm [7"]

Built-in dimensions Z5010/Z5012 Assembly



2.1 EU conformity (CE symbol)

This declaration applies to:

d&b Z5397 YP Swivel bracket

manufactured by d&b audiotechnik GmbH & Co. KG.

All product variants are included, provided they correspond to the original technical version and have not been subject to any later design or electromechanical modifications.

We herewith declare that said products are in conformity with the provisions of the respective EC directives including all applicable amendments.

A detailed declaration is available on request and can be ordered from d&b or downloaded from the d&b website at www.dbaudio.com.

2.2 Disposal

When out of use the rigging components must be disposed of in accordance with the national environmental regulations.

Ensure that damaged rigging components are disposed of in a way that they cannot be used again.

