

Z5024

Loudspeaker stand adapter

Mounting instructions (5.0E)

References in the manual

WARNING!

This refers to a potentially dangerous situation which may lead to personal injury.

CAUTION!

This refers to a potentially dangerous situation which may lead to damage to the equipment.

IMPORTANT!

This refers to a situation which may cause the equipment to malfunction.

Symbols on the equipment



Please refer to the information in the operating manual.

General Information

Mounting instructions
Z5024 Loudspeaker stand adapter

Version 5.0E, 11/2003, D2908.E.05

© by d&b audiotechnik AG 2003; all rights reserved.

The information contained in this manual has been carefully checked for accuracy, at the time of going to press, however no guarantee is given with respect to the correctness.

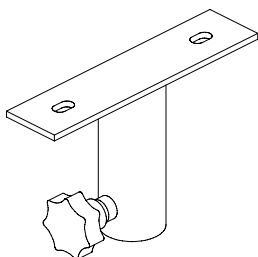
d&b audiotechnik AG accepts no responsibility for any errors or inaccuracies that may appear in this manual or the products and software described in it.

Technical specifications, dimensions, weights and properties do not represent guaranteed qualities.

As manufacturers we reserve the right to make alterations and modifications within the framework of legal provisions, as well as changes aimed at improving quality.

d&b audiotechnik AG
Eugen-Adolff-Strasse 134, D-71522 Backnang, Germany
Telephone +49-7191-9669-0, Fax +49-7191-95 00 00
E-mail: docadmin@dbaudio.com, Internet: www.dbaudio.com

Z5024 Loudspeaker stand adapter



This adapter is used to mount loudspeakers on to the standard 35 mm diameter column commonly used for loudspeaker stands.

- Direct assembly to E1 or E3 loudspeakers
- Direct assembly to 2 x E3 using Z5031 E3 Standard bracket
- Z5023 02 Flying bracket
- Z0124 E1 Vertical bracket
- Z0126 E1 Horizontal bracket
- Z5032 E3 Swivel bracket
- Z5028 E3/Ci80 Horizontal bracket
- Z5030 E3 x 2 Angle bracket
- Z5052 Flying bracket CI6/CI9
- Z5150 Q Swivel bracket

Safety instructions

WARNING!

Installation should only be carried out by fully trained personnel. There are certain rules for installation that must be complied with.

The adapter must never be used to suspend a loudspeaker cabinet.

The handbolt fitted to the adapter is not intended to fully secure the adapter to the stand column - it is provided only to lock the loudspeaker cabinet to a set horizontal angle and prevent it from turning.

Secondary safeties must always be provided and used when flying or fixing loudspeaker loads overhead.

Load safety information

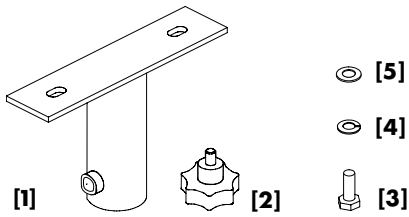
WARNING!

The maximum permitted safe working load (SWL) for this adapter is 40 kg and this value must on no account ever be exceeded.

Additionally, the load force must only act vertically on the fixing plate - any type of shear load must be avoided.

Also ensure that the maximum permitted safe working load (SWL) for the loudspeaker stand used with the adapter is not exceeded.

Part list Z5024 Loudspeaker stand adapter



- 1 x Z5024 Adapter für Boxenstativ [1]
- 3 x Fixing bolt M8x16 [2]
- 2 x Hex head screw DIN 933-M8x18-8.8 [3]
- 2 x Spring washer 8.2 [4]
- 2 x Plain washer 8.4 [5]

Weight Z5024 Loudspeaker stand adapter

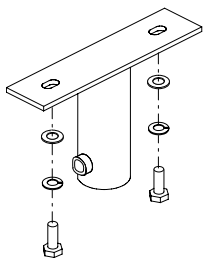
0.6 kg/1.3 lb

Assembly

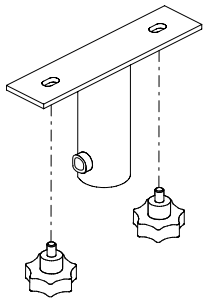
Each adapter is supplied with two M8x18mm hex head screws [3], spring [4] and plain [5] washers. The adapter is either fitted to the accessories described above or directly fitted to E1 or E3 loudspeakers.

Fixing screws longer than those supplied must not be used. Longer screws can punch in the E1 or E3 threaded inserts and breach the cabinet's air-tight seal. The adapter may also be fitted using two M8 Safety eyebolts (Q9031).

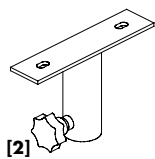
Alternatively the adapter can be fitted using the two fixing bolts [2]. In this case the spring [4] and plain [5] washers are not used.



Fitting the adapter using the hex head screw [3] spring [4] and plain [5] washers

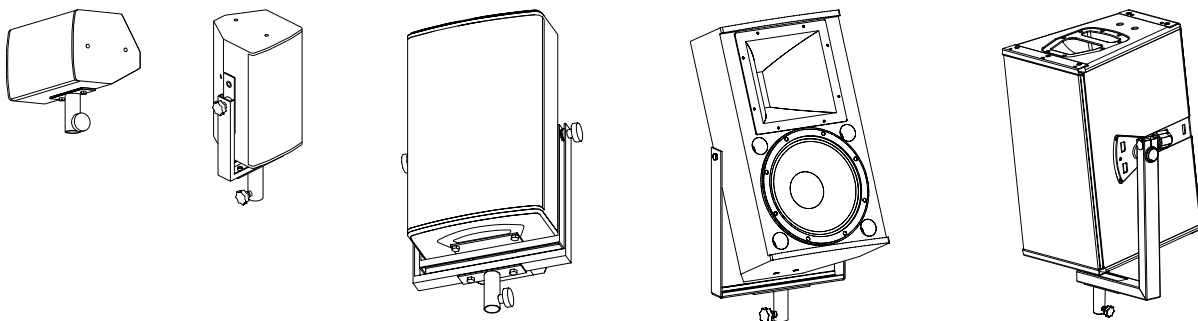


Fitting the adapter using the fixing bolt [2]



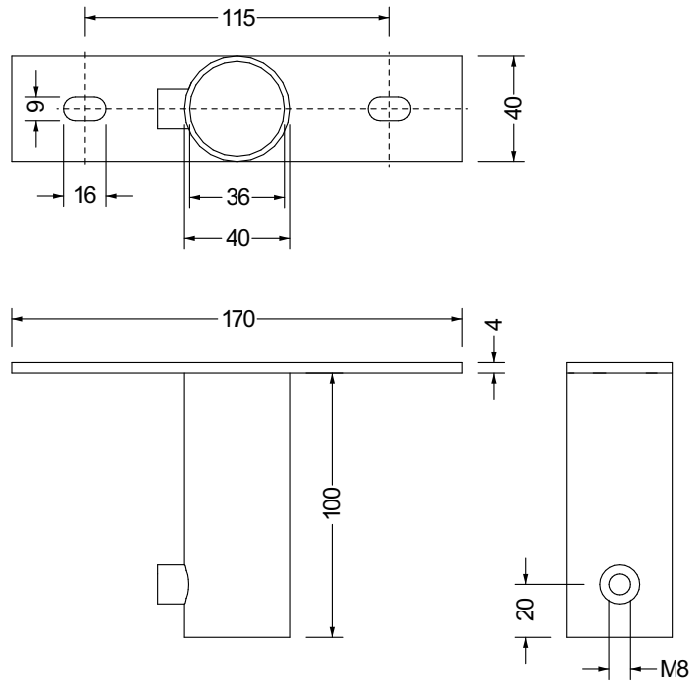
Operation

The horizontal angle can be set by slaking the fixing bolt [2]. After horizontal alignment retighten the fixing bolt.

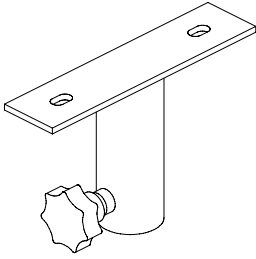


Rigging examples

Z5024 dimensions in mm



Declaration of Conformity to BGV C1



Z5024 Loudspeaker stand adapter

This declaration applies to the following component(s) of the d&b Rigging Accessories:

Z5024 Loudspeaker stand adapter

We hereby declare that the above listed product(s) supplied by d&b audiotechnik AG comply with the relevant requirements of BGV C1(GUV 6.15).