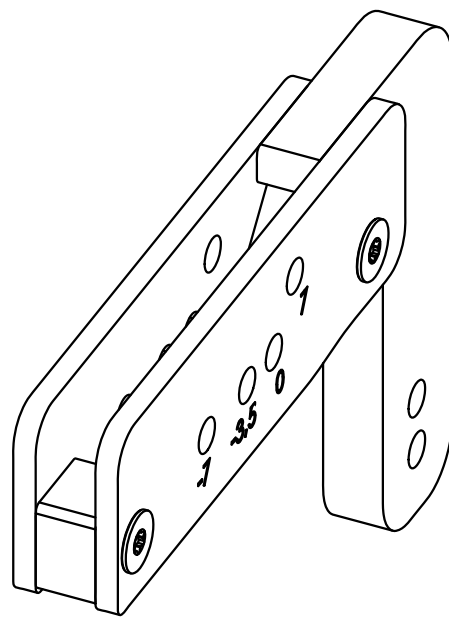


# Z5386 V Stack adapter

## Rigging manual (1.1 EN)



## **General information**

Z5386 V Stack adapter  
Rigging manual

Version: 1.1 EN, 10/2012, D2705.EN .01

Copyright © 2012 by d&b audiotechnik GmbH; all rights reserved.

**Keep this manual with the product or in a safe place so that it is available for future reference.**

When reselling this product, hand over this manual to the new customer.

d&b audiotechnik GmbH  
Eugen-Adolff-Strasse 134, D-71522 Backnang, Germany  
T +49-7191-9669-0, F +49-7191-95 00 00  
docadmin@dbaudio.com, www.dbaudio.com

# Contents

<b>1. Z5386 V Stack adapter</b> .....	<b>4</b>
1.1. Safety.....	4
1.1.1. Intended use.....	4
1.1.2. General safety.....	4
1.2. Scope of supply.....	4
1.3. Assembly.....	4
1.3.1. Attachment.....	5
1.3.2. Vertical aiming of the first cabinet.....	5
<b>2. Care and maintenance / Disposal</b> .....	<b>6</b>
2.1. Transport / Storing.....	6
2.2. Visual and functional inspection.....	6
2.3. Disposal.....	6

# 1. Z5386 V Stack adapter

## 1.1. Safety

### 1.1.1. Intended use

The Z5386 V Stack adapter must only be used in conjunction with d&b V-Series loudspeakers as described in this manual. It is intended as a substitute for the V Flying frame in mixed V-Series ground stacks.

---

### NOTICE!

---

In addition observe the safety and assembly instructions given in the ground stack section of the V-Series Rigging manual.

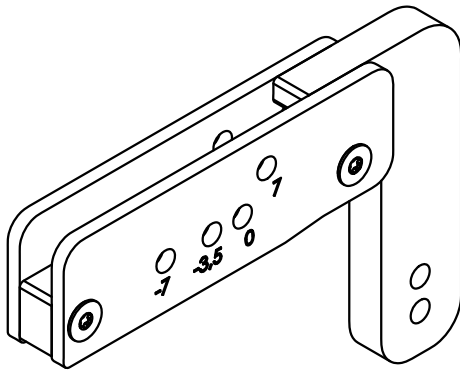
---

### 1.1.2. General safety

Installation and setup should only be carried out by qualified and authorized personnel observing the valid national Rules for the Prevention of Accidents (RPA).

Always carry out a visual and functional inspection of the items before use. In case there is any doubt as to the proper functioning and safety of the items, these must be withdrawn from use immediately.

Please also refer to ⇒ Chapter 2. "Care and maintenance / Disposal" on page 6.



## 1.2. Scope of supply

Please verify the shipment for completeness and proper condition of the items.

Qty.	d&b Code	Description
1	<b>Z5386</b>	d&b V Stack adapter
Including:		
1	D2705	Rigging manual

Weight ..... 1.8 kg / 4 lb

## 1.3. Assembly



### WARNING!

**Potential risk of personal injury and/or damage to material!**

---

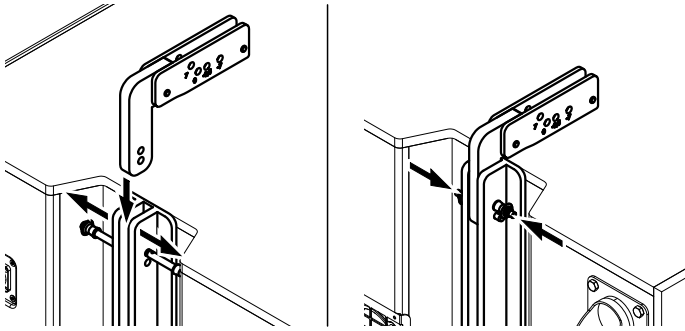
Always secure ground stacked setups against movement and possible tipping over.

Observe the maximum number of cabinets permitted. This is particularly important when setting up mixed ground stacks.

---

### Limitations

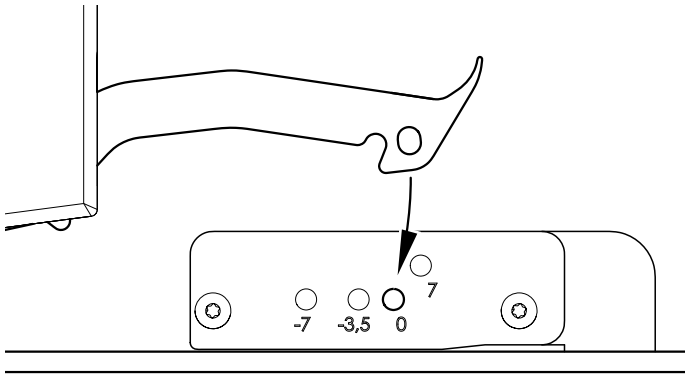
A combination of maximum 8 cabinets (SUBs + TOPs) is allowed to be set up as mixed ground stack.



### 1.3.1. Attachment

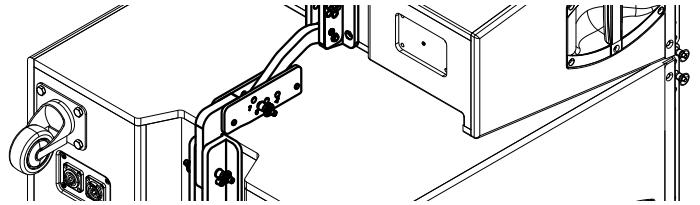
The Stack adapter is attached to the rear rigging strand of the V-SUB cabinet. To attach the adapter, proceed as follows:

1. Release the two Locking pins on the rear rigging strand of the V-SUB cabinet.
2. Attach the Stack adapter as shown in the graphic opposite.
3. Reinsert and lock the two Locking pins on the V-SUB cabinet.



### 1.3.2. Vertical aiming of the first cabinet

The hole grid on the Stack adapter allows the first V-TOP cabinet on top of the V-SUB cabinet to be set to a fixed vertical angle of  $-7^\circ$ ,  $-3.5^\circ$ ,  $0^\circ$  or  $+7^\circ$ . For this purpose, the hole (drill) of the cabinet's Splay link is used. It supports the cabinet and defines the angle setting.



## 2. Care and maintenance / Disposal

### 2.1. Transport / Storing

During transport ensure the rigging components are not stressed or damaged by mechanical forces. Use suitable transport cases.

Due to their surface treatment the rigging components are temporarily protected against moisture. However, ensure the components are in a dry state while stored or during transport and use.

### 2.2. Visual and functional inspection



#### **WARNING!**

**Potential risk of personal injury and/or damage to material**

---

To eliminate the potential risk of accident due to malfunctioning of a component, regularly inspect all system components.

---

#### **Z5386 V Stack adapter**

Visual inspection regarding deformation and damage (e.g. cracks and corrosion) including all drilled holes of the component.

### 2.3. Disposal

When out of use the rigging components must be disposed of in accordance with the national environmental regulations.

Ensure that damaged rigging components are disposed of in a way that they cannot be used again.

